



data safe[®]
DX

*BATTERY
PERFORMANCE
SPECIFICATIONS*





The DataSafe® DX range of flooded lead calcium flat plate batteries has been designed for use in UPS applications, more specifically large data centers, which demand the highest levels of security and reliability. The proven reliability of DataSafe DX battery as a leading high rate performance battery is backed by 20 + years of experience in the marketplace.

The DataSafe DX battery is an economical multi-cell calcium flat plate battery. Multi-cell construction requires fewer units, resulting in lower installation costs. While optimizing the space available in the battery room, it delivers superior performance making the DataSafe DX battery a superlative, cost-effective battery.

The DataSafe DX battery features the time tested EnerSys Slide-Lock™ post seal design, bolted tin plated copper connectors, optimal grid design, heavy duty plate lug and strap and dual lug design, which make this battery ideal for high rate applications.

All battery systems are rated at 100% capacity at initial discharge. The DataSafe DX battery has a 20 year life expectancy in float service at 77°F (25°C) ambient temperature.

Features

- Capacity range: 0.626 - 5.446 kW per cell
- Suitable for UPS & Switchgear applications
- Multi-cell construction
- Cover made from flame retardant PVC
- Container made from styrene acrylonitrile (SAN), also optional flame retardant polycarbonate (PC)
- Long life Slide-Lock™ post seal design

Standards

- Manufactured in EnerSys® production facilities certified to ISO 9001: 2008
- Manufactured in EnerSys production facilities certified to ISO 14001: 2004
- Available testing to IEEE 450 standards as well as customer specific applications

Specifications

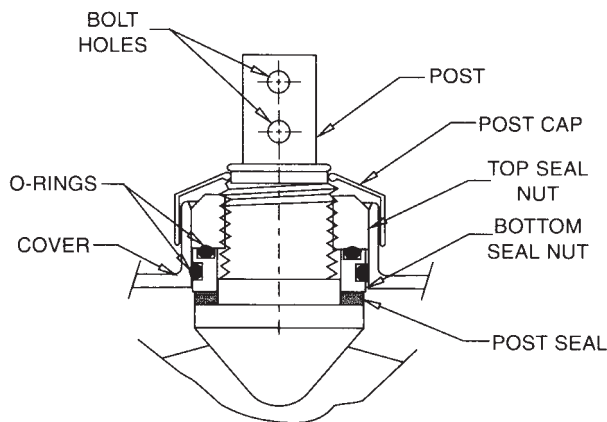
- Plate thickness:
Positive: 0.200 in/5.1 mm
Negative: 0.130 in/3.6 mm
- Plate suspension type:
Positive: Bridge hung
Negative: Bottom supported
- Container:
Styrene Acrylonitrile (SAN), Optional flame retardant polycarbonate (PC)
- Cover: Made from flame retardant PVC, UL94-VO/L.O.I. 28%
- Separators: Microporous plastic
- Bolt connectors: Stainless steel, English measure, Hex-Head
- Intercell connectors: Tin-plated copper, optional lead plated copper
- Electrolyte over plates: 2.88 in/73.1 mm
- Vent type: Flame Arrestor, Fused Alumina
- Float voltage settings (1.215) : Acceptable min/max: 2.17/2.26 Vpc, Recommended: 2.21 Vpc
- Float voltage settings (1.250) : Acceptable min/max: 2.21/2.30 Vpc, Recommended: 2.25 Vpc
- Sediment space: 1.04 in/26.4 mm
- Posts:
Lead-plated copper
DX-5 to DX-25 - one positive post and one negative post per cell
DX-27 to DX-35 - two positive posts and two negative posts per cell
- Post seal type: Slide-Lock™
- Specific gravity: 1.215 standard (1.250 available upon request)

General Specifications

DataSafe® DX Battery Type*	Number Type*	Nominal of Cells	Watts/Cell		Nominal Dimensions						Weights - Volumes							
			15 min. rate to 1.67Vpc Voltage (V) (1.215 S.G.)	15 min. rate to 1.67Vpc @77°F (25°C) (1.250 S.G.)	@ 77°F (25°C)		Length**		Width		Height		Domestic Unpacked		Packed	Electrolyte Only 1.215 sg		
					mm	in	mm	in	mm	in	kg	lbs	kg	lbs	kg	lbs	l	gal
4DX-5	4	8	626	701	241	9.50	406	16.00	558	22.00	116.4	256.0	119.5	263.0	34.6	76.2	28.4	7.5
4DX-7	4	8	937	1033	241	9.50	406	16.00	558	22.00	137.7	303.0	141.8	312.0	30.9	68.1	25.4	6.7
4DX-9	4	8	1211	1353	241	9.50	406	16.00	558	22.00	160.5	353.0	152.7	363.0	27.7	61.0	22.7	6.0
4DX-11	4	8	1527	1731	424	16.70	406	16.00	576	22.68	230.5	507.0	237.3	522.0	64.5	142.0	53.0	14.0
4DX-13	4	8	1838	2035	424	16.70	406	16.00	576	22.68	253.2	557.0	260.4	573.0	59.9	132.0	49.2	13.0
4DX-15	4	8	2121	2334	424	16.70	406	16.00	576	22.68	275.5	606.0	283.6	624.0	57.6	127.0	47.3	12.5
4DX-17	4	8	2380	2639	424	16.70	406	16.00	576	22.68	298.2	656.0	306.8	675.0	54.4	120.0	44.7	11.8
4DX-19	4	8	2634	2919	513	20.20	406	16.00	576	22.68	354.4	781.3	363.0	800.3	62.7	138.0	51.5	13.6
4DX-21	4	8	3002	3289	513	20.20	406	16.00	576	22.68	376.6	830.3	385.2	849.3	59.5	131.0	48.8	12.9
2DX-23	2	4	3234	3575	308	12.12	406	16.00	576	22.68	215.1	473.0	222.4	489.3	39.6	87.4	32.6	8.6
2DX-25	2	4	3499	3850	308	12.12	406	16.00	576	22.68	227.0	499.3	234.2	515.3	37.8	83.4	31.0	8.2
2DX-27	2	4	3894	4281	424	16.70	406	16.00	576	22.68	266.8	587.0	274.5	604.0	63.2	139.0	51.9	13.7
2DX-29	2	4	4161	4581	424	16.70	406	16.00	576	22.68	278.6	613.0	287.2	632.0	61.3	135.0	50.3	13.3
2DX-31	2	4	4415	4871	424	16.70	406	16.00	576	22.68	290.0	638.0	298.6	657.0	59.5	131.0	48.8	12.9
2DX-33	2	4	4670	5161	424	16.70	406	16.00	576	22.68	301.4	663.0	310.0	682.0	57.6	127.0	47.3	12.5
2DX-35	2	4	4918	5446	424	16.70	406	16.00	576	22.68	309.0	680.0	318.2	700.0	55.8	123.0	45.8	12.1

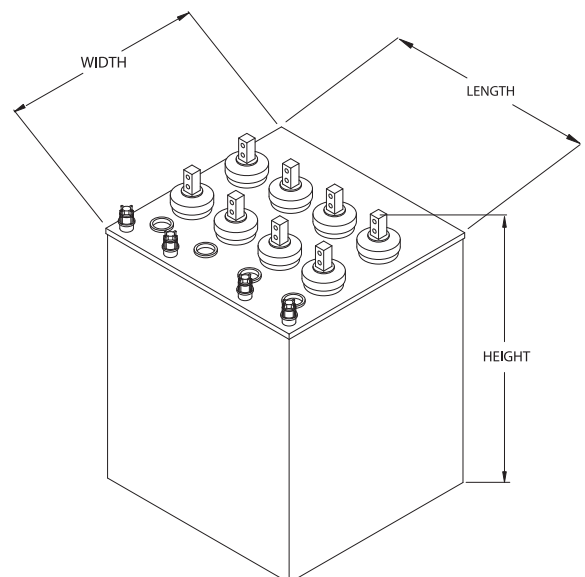
* Prefix indicates number of total cells per jar. Suffix number indicates total plates per cell.

** 0.25 inches must be added between units for spacing purposes when calculating total battery length.



Exclusive Slide-Lock™ Post Seal

4DX-5, 7, 9 Models Have a Single Hole Terminal Post



4DX-11, 13, 15, 17, 19, 21 Models Shown

1.250 Specific Gravity

Discharge Rates in kW per Cell* to 1.75Vpc at 25°C (77°F)**

DataSafe® DX Battery Type	Minutes																			
	5	10	11	12	13	14	15	16	17	18	19	20	25	30	45	60	90	120	180	240
DX-05B	0.903	0.735	0.710	0.688	0.666	0.647	0.629	0.612	0.597	0.583	0.569	0.556	0.498	0.454	0.362	0.304	0.235	0.195	0.147	0.121
DX-07B	1.306	1.076	1.041	1.009	0.979	0.950	0.924	0.899	0.877	0.855	0.834	0.815	0.729	0.662	0.522	0.436	0.333	0.274	0.203	0.165
DX-09B	1.683	1.401	1.356	1.315	1.276	1.240	1.205	1.173	1.143	1.115	1.088	1.061	0.947	0.857	0.669	0.553	0.417	0.338	0.246	0.198
DX-11B	2.092	1.774	1.724	1.675	1.632	1.591	1.552	1.516	1.481	1.448	1.417	1.387	1.253	1.148	0.920	0.774	0.596	0.492	0.367	0.298
DX-13B	2.438	2.080	2.022	1.967	1.917	1.868	1.822	1.778	1.737	1.698	1.661	1.625	1.466	1.340	1.066	0.892	0.680	0.557	0.412	0.333
DX-15B	2.779	2.379	2.314	2.253	2.196	2.140	2.087	2.036	1.988	1.942	1.899	1.858	1.674	1.527	1.208	1.004	0.760	0.619	0.454	0.364
DX-17B	3.172	2.714	2.637	2.565	2.499	2.435	2.374	2.316	2.261	2.209	2.159	2.111	1.901	1.729	1.362	1.129	0.848	0.687	0.498	0.396
DX-19B	3.530	3.016	2.933	2.852	2.778	2.707	2.640	2.578	2.519	2.461	2.407	2.354	2.124	1.938	1.536	1.279	0.970	0.793	0.582	0.468
DX-21B	3.995	3.397	3.298	3.206	3.119	3.035	2.959	2.885	2.815	2.748	2.685	2.624	2.360	2.147	1.696	1.409	1.064	0.865	0.633	0.505
DX-23B	4.257	3.645	3.545	3.451	3.364	3.279	3.197	3.119	3.045	2.976	2.910	2.846	2.565	2.340	1.851	1.539	1.164	0.948	0.695	0.558
DX-25B	4.470	3.871	3.777	3.676	3.587	3.504	3.420	3.342	3.267	3.194	3.125	3.061	2.768	2.531	2.009	1.671	1.261	1.024	0.743	0.589
DX-27B	5.088	4.328	4.207	4.087	3.985	3.882	3.786	3.696	3.611	3.531	3.453	3.379	3.055	2.793	2.228	1.866	1.430	1.177	0.870	0.708
DX-29B	5.438	4.633	4.503	4.378	4.266	4.156	4.054	3.958	3.866	3.779	3.696	3.617	3.267	2.985	2.375	1.985	1.515	1.244	0.917	0.743
DX-31B	5.775	4.926	4.789	4.660	4.538	4.421	4.314	4.211	4.113	4.019	3.930	3.845	3.472	3.168	2.513	2.094	1.591	1.302	0.955	0.770
DX-33B	6.112	5.220	5.076	4.941	4.810	4.687	4.574	4.464	4.359	4.259	4.165	4.075	3.677	3.351	2.651	2.204	1.668	1.360	0.994	0.798
DX-35B	6.441	5.509	5.358	5.218	5.077	4.947	4.829	4.712	4.601	4.495	4.394	4.299	3.878	3.530	2.784	2.310	1.740	1.413	1.029	0.822

1.250 Specific Gravity

Discharge Rates in kW per Cell* to 1.70Vpc at 25°C (77°F)**

DataSafe® DX Battery Type	Minutes																			
	5	10	11	12	13	14	15	16	17	18	19	20	25	30	45	60	90	120	180	240
DX-05B	1.009	0.806	0.777	0.750	0.725	0.701	0.680	0.659	0.640	0.623	0.606	0.591	0.526	0.474	0.372	0.310	0.237	0.196	0.147	0.121
DX-07B	1.458	1.182	1.141	1.102	1.066	1.032	1.000	0.970	0.942	0.916	0.891	0.869	0.770	0.692	0.538	0.445	0.335	0.274	0.203	0.165
DX-09B	1.878	1.541	1.489	1.439	1.392	1.349	1.307	1.268	1.231	1.196	1.164	1.134	1.002	0.898	0.691	0.565	0.419	0.338	0.246	0.198
DX-11B	2.331	1.941	1.882	1.825	1.772	1.724	1.677	1.633	1.591	1.552	1.515	1.480	1.328	1.204	0.951	0.793	0.603	0.494	0.367	0.298
DX-13B	2.718	2.279	2.209	2.143	2.082	2.025	1.969	1.917	1.867	1.821	1.777	1.736	1.553	1.405	1.102	0.913	0.688	0.560	0.412	0.333
DX-15B	3.099	2.611	2.532	2.455	2.386	2.320	2.256	2.196	2.139	2.085	2.035	1.986	1.773	1.601	1.248	1.028	0.769	0.623	0.454	0.364
DX-17B	3.516	2.958	2.868	2.783	2.702	2.627	2.556	2.488	2.424	2.361	2.303	2.248	2.005	1.808	1.405	1.153	0.855	0.688	0.498	0.396
DX-19B	3.913	3.281	3.180	3.086	2.997	2.915	2.837	2.761	2.690	2.623	2.559	2.499	2.237	2.019	1.575	1.302	0.978	0.794	0.582	0.468
DX-21B	4.431	3.702	3.586	3.476	3.373	3.276	3.184	3.097	3.016	2.938	2.865	2.796	2.494	2.250	1.753	1.444	1.078	0.870	0.633	0.505
DX-23B	4.747	4.000	3.879	3.762	3.655	3.554	3.456	3.364	3.277	3.195	3.118	3.043	2.717	2.452	1.912	1.576	1.179	0.954	0.696	0.558
DX-25B	4.974	4.255	4.133	4.019	3.912	3.810	3.710	3.616	3.529	3.446	3.366	3.289	2.949	2.671	2.086	1.717	1.274	1.026	0.743	0.589
DX-27B	5.698	4.773	4.624	4.485	4.357	4.234	4.122	4.012	3.909	3.813	3.723	3.636	3.252	2.943	2.310	1.915	1.442	1.178	0.870	0.708
DX-29B	6.086	5.105	4.947	4.800	4.663	4.533	4.412	4.295	4.185	4.082	3.984	3.891	3.479	3.147	2.464	2.038	1.530	1.246	0.917	0.743
DX-31B	6.456	5.424	5.258	5.104	4.959	4.821	4.692	4.568	4.452	4.340	4.236	4.137	3.696	3.341	2.609	2.153	1.610	1.305	0.955	0.770
DX-33B	6.826	5.744	5.570	5.409	5.255	5.110	4.973	4.842	4.719	4.600	4.488	4.383	3.914	3.536	2.754	2.268	1.690	1.365	0.994	0.798
DX-35B	7.187	6.058	5.876	5.707	5.545	5.394	5.248	5.111	4.980	4.854	4.735	4.624	4.126	3.726	2.894	2.378	1.765	1.420	1.029	0.822

*kW values listed represent 100% of the initial capacity.
 **At 77°F (25°C) includes intercell connector drop.
 All data subject to change without notice.

1.250 Specific Gravity

Discharge Rates in kW per Cell* to 1.67Vpc at 25°C (77°F)**

DataSafe® DX Battery Type	Minutes																			
	5	10	11	12	13	14	15	16	17	18	19	20	25	30	45	60	90	120	180	240
DX-05B	1.062	0.841	0.808	0.778	0.750	0.724	0.701	0.679	0.659	0.640	0.622	0.604	0.536	0.481	0.375	0.311	0.237	0.196	0.147	0.121
DX-07B	1.534	1.233	1.187	1.144	1.105	1.068	1.033	1.001	0.970	0.942	0.915	0.890	0.785	0.703	0.543	0.445	0.335	0.274	0.203	0.165
DX-09B	1.974	1.607	1.550	1.496	1.446	1.399	1.353	1.310	1.270	1.232	1.197	1.163	1.023	0.913	0.696	0.565	0.419	0.338	0.246	0.198
DX-11B	2.448	2.023	1.957	1.894	1.837	1.782	1.731	1.684	1.639	1.596	1.556	1.518	1.355	1.224	0.960	0.795	0.603	0.494	0.367	0.298
DX-13B	2.864	2.377	2.300	2.227	2.159	2.096	2.035	1.978	1.925	1.874	1.826	1.780	1.585	1.428	1.112	0.915	0.688	0.560	0.412	0.333
DX-15B	3.270	2.725	2.637	2.554	2.476	2.404	2.334	2.268	2.206	2.146	2.090	2.037	1.810	1.627	1.259	1.031	0.769	0.623	0.454	0.364
DX-17B	3.694	3.078	2.979	2.886	2.799	2.717	2.639	2.564	2.493	2.427	2.363	2.303	2.044	1.836	1.414	1.153	0.855	0.688	0.498	0.396
DX-19B	4.108	3.408	3.297	3.194	3.096	3.006	2.919	2.838	2.762	2.689	2.621	2.554	2.270	2.041	1.583	1.302	0.978	0.794	0.582	0.468
DX-21B	4.655	3.855	3.726	3.606	3.492	3.387	3.289	3.195	3.105	3.020	2.940	2.865	2.544	2.287	1.769	1.448	1.078	0.870	0.633	0.505
DX-23B	5.009	4.175	4.040	3.913	3.793	3.683	3.575	3.475	3.380	3.288	3.203	3.121	2.773	2.493	1.929	1.580	1.179	0.954	0.696	0.558
DX-25B	5.245	4.445	4.315	4.189	4.069	3.956	3.850	3.750	3.652	3.560	3.473	3.389	3.022	2.723	2.109	1.720	1.274	1.026	0.743	0.589
DX-27B	6.019	4.992	4.832	4.682	4.541	4.406	4.281	4.162	4.050	3.943	3.842	3.747	3.336	3.002	2.336	1.920	1.442	1.178	0.870	0.708
DX-29B	6.428	5.340	5.169	5.010	4.859	4.715	4.581	4.454	4.334	4.220	4.111	4.010	3.569	3.210	2.492	2.044	1.530	1.246	0.917	0.743
DX-31B	6.817	5.673	5.494	5.325	5.165	5.013	4.871	4.736	4.609	4.488	4.371	4.263	3.792	3.408	2.639	2.160	1.610	1.305	0.955	0.770
DX-33B	7.207	6.008	5.819	5.641	5.472	5.312	5.161	5.018	4.883	4.756	4.632	4.516	4.015	3.607	2.787	2.276	1.690	1.365	0.994	0.798
DX-35B	7.586	6.335	6.138	5.951	5.772	5.605	5.446	5.295	5.153	5.018	4.887	4.765	4.234	3.801	2.930	2.388	1.765	1.420	1.029	0.822

1.250 Specific Gravity

Discharge Rates in kW per Cell* to 1.63Vpc at 25°C (77°F)**

DataSafe® DX Battery Type	Minutes																			
	5	10	11	12	13	14	15	16	17	18	19	20	25	30	45	60	90	120	180	240
DX-05B	1.125	0.875	0.840	0.806	0.776	0.748	0.721	0.697	0.675	0.655	0.635	0.617	0.543	0.486	0.375	0.311	0.237	0.196	0.147	0.121
DX-07B	1.622	1.286	1.235	1.188	1.144	1.103	1.065	1.030	0.997	0.966	0.937	0.909	0.797	0.711	0.543	0.445	0.335	0.274	0.203	0.165
DX-09B	2.084	1.680	1.615	1.556	1.499	1.447	1.397	1.350	1.307	1.265	1.227	1.191	1.040	0.924	0.696	0.565	0.419	0.338	0.246	0.198
DX-11B	2.584	2.108	2.034	1.965	1.901	1.841	1.785	1.732	1.683	1.636	1.592	1.550	1.375	1.238	0.961	0.795	0.603	0.494	0.367	0.298
DX-13B	3.028	2.482	2.395	2.314	2.238	2.166	2.099	2.037	1.978	1.922	1.869	1.820	1.610	1.445	1.113	0.915	0.688	0.560	0.412	0.333
DX-15B	3.464	2.850	2.751	2.657	2.569	2.486	2.409	2.336	2.268	2.203	2.142	2.084	1.839	1.647	1.260	1.031	0.769	0.623	0.454	0.364
DX-17B	3.898	3.211	3.100	2.996	2.898	2.806	2.719	2.637	2.560	2.487	2.418	2.352	2.075	1.856	1.414	1.153	0.855	0.688	0.498	0.396
DX-19B	4.331	3.540	3.416	3.300	3.193	3.091	2.995	2.906	2.822	2.742	2.666	2.594	2.290	2.053	1.583	1.302	0.978	0.794	0.582	0.468
DX-21B	4.913	4.019	3.877	3.744	3.618	3.500	3.389	3.286	3.190	3.097	3.011	2.930	2.585	2.315	1.771	1.448	1.078	0.870	0.633	0.505
DX-23B	5.306	4.366	4.214	4.071	3.936	3.809	3.690	3.579	3.474	3.375	3.282	3.193	2.817	2.523	1.931	1.580	1.179	0.954	0.696	0.558
DX-25B	5.571	4.662	4.515	4.374	4.241	4.117	3.999	3.884	3.777	3.674	3.576	3.484	3.085	2.766	2.111	1.720	1.274	1.026	0.743	0.589
DX-27B	6.391	5.241	5.061	4.895	4.736	4.588	4.447	4.314	4.190	4.073	3.962	3.854	3.409	3.054	2.343	1.920	1.442	1.178	0.870	0.708
DX-29B	6.825	5.606	5.414	5.236	5.067	4.909	4.759	4.617	4.484	4.358	4.240	4.125	3.646	3.265	2.500	2.044	1.530	1.246	0.917	0.743
DX-31B	7.237	5.957	5.753	5.565	5.385	5.218	5.059	4.909	4.767	4.634	4.508	4.386	3.874	3.467	2.648	2.160	1.610	1.305	0.955	0.770
DX-33B	7.651	6.308	6.093	5.894	5.705	5.528	5.360	5.201	5.051	4.910	4.777	4.647	4.102	3.670	2.796	2.276	1.690	1.365	0.994	0.798
DX-35B	8.053	6.652	6.426	6.217	6.017	5.831	5.655	5.488	5.330	5.181	5.041	4.903	4.326	3.868	2.941	2.388	1.765	1.420	1.029	0.822

*kW values listed represent 100% of the initial capacity.

**At 77°F (25°C) includes intercell connector drop.

All data subject to change without notice.

1.250 Specific Gravity

Discharge Rates in kW per Cell* to 1.60Vpc at 25°C (77°F)**

DataSafe® DX Battery Type	Minutes																			
	5	10	11	12	13	14	15	16	17	18	19	20	25	30	45	60	90	120	180	240
DX-05B	1.165	0.895	0.857	0.821	0.789	0.759	0.731	0.706	0.683	0.661	0.641	0.622	0.545	0.486	0.375	0.311	0.237	0.196	0.147	0.121
DX-07B	1.680	1.317	1.262	1.212	1.165	1.121	1.081	1.043	1.009	0.977	0.947	0.918	0.801	0.711	0.543	0.445	0.335	0.274	0.203	0.165
DX-09B	2.159	1.722	1.653	1.589	1.529	1.472	1.420	1.371	1.325	1.282	1.241	1.204	1.046	0.924	0.696	0.565	0.419	0.338	0.246	0.198
DX-11B	2.671	2.157	2.078	2.004	1.935	1.870	1.810	1.754	1.702	1.654	1.607	1.564	1.383	1.240	0.961	0.795	0.603	0.494	0.367	0.298
DX-13B	3.137	2.544	2.449	2.362	2.280	2.204	2.131	2.065	2.002	1.944	1.889	1.836	1.619	1.447	1.113	0.915	0.688	0.560	0.412	0.333
DX-15B	3.594	2.924	2.816	2.715	2.621	2.531	2.447	2.370	2.298	2.230	2.165	2.104	1.849	1.649	1.260	1.031	0.769	0.623	0.454	0.364
DX-17B	4.032	3.289	3.170	3.057	2.952	2.853	2.759	2.673	2.592	2.515	2.443	2.374	2.084	1.856	1.414	1.153	0.855	0.688	0.498	0.396
DX-19B	4.476	3.612	3.479	3.356	3.241	3.131	3.029	2.932	2.843	2.759	2.680	2.606	2.294	2.053	1.583	1.302	0.978	0.794	0.582	0.468
DX-21B	5.084	4.116	3.963	3.819	3.684	3.559	3.441	3.332	3.229	3.134	3.043	2.958	2.600	2.318	1.771	1.448	1.078	0.870	0.633	0.505
DX-23B	5.507	4.480	4.314	4.159	4.015	3.878	3.749	3.632	3.520	3.417	3.317	3.224	2.834	2.526	1.931	1.580	1.179	0.954	0.696	0.558
DX-25B	5.772	4.800	4.639	4.487	4.344	4.208	4.080	3.958	3.843	3.733	3.630	3.531	3.111	2.776	2.111	1.720	1.274	1.026	0.743	0.589
DX-27B	6.620	5.397	5.204	5.023	4.851	4.690	4.542	4.402	4.268	4.143	4.024	3.912	3.441	3.072	2.343	1.920	1.442	1.178	0.870	0.708
DX-29B	7.071	5.772	5.566	5.373	5.191	5.019	4.860	4.711	4.568	4.434	4.306	4.187	3.681	3.284	2.500	2.044	1.530	1.246	0.917	0.743
DX-31B	7.500	6.133	5.914	5.710	5.517	5.336	5.166	5.008	4.857	4.714	4.578	4.451	3.912	3.488	2.648	2.160	1.610	1.305	0.955	0.770
DX-33B	7.930	6.494	6.263	6.048	5.845	5.653	5.474	5.307	5.146	4.995	4.851	4.716	4.142	3.692	2.796	2.276	1.690	1.365	0.994	0.798
DX-35B	8.349	6.847	6.604	6.378	6.166	5.964	5.775	5.599	5.430	5.270	5.118	4.975	4.368	3.891	2.941	2.388	1.765	1.420	1.029	0.822

1.215 Specific Gravity

Discharge Rates in kW per Cell* to 1.75Vpc at 25°C (77°F)**

DataSafe® DX Battery Type	Minutes																			
	5	10	11	12	13	14	15	16	17	18	19	20	25	30	45	60	90	120	180	240
DX-05	0.754	0.645	0.627	0.610	0.594	0.579	0.564	0.551	0.537	0.525	0.513	0.501	0.451	0.410	0.323	0.269	0.208	0.172	0.129	0.106
DX-07	1.113	0.956	0.931	0.906	0.882	0.859	0.837	0.816	0.795	0.776	0.758	0.740	0.663	0.603	0.477	0.397	0.301	0.247	0.182	0.148
DX-09	1.446	1.251	1.217	1.186	1.155	1.126	1.098	1.069	1.042	1.017	0.992	0.968	0.864	0.782	0.611	0.503	0.375	0.304	0.222	0.178
DX-11	1.830	1.569	1.526	1.485	1.446	1.408	1.373	1.340	1.308	1.278	1.249	1.221	1.099	0.999	0.788	0.660	0.514	0.426	0.319	0.262
DX-13	2.176	1.870	1.821	1.773	1.728	1.683	1.641	1.601	1.563	1.526	1.492	1.459	1.312	1.195	0.946	0.788	0.599	0.492	0.362	0.294
DX-15	2.546	2.181	2.120	2.063	2.008	1.956	1.907	1.860	1.816	1.773	1.733	1.694	1.523	1.382	1.085	0.901	0.682	0.556	0.408	0.330
DX-17	2.868	2.451	2.382	2.316	2.254	2.195	2.139	2.085	2.034	1.986	1.940	1.896	1.700	1.540	1.202	0.993	0.746	0.603	0.438	0.350
DX-19	3.122	2.666	2.592	2.520	2.452	2.385	2.327	2.270	2.215	2.164	2.115	2.068	1.861	1.695	1.343	1.119	0.849	0.695	0.512	0.413
DX-21	3.493	2.995	2.912	2.832	2.756	2.684	2.616	2.553	2.491	2.432	2.376	2.323	2.092	1.905	1.507	1.251	0.942	0.766	0.559	0.447
DX-23	3.860	3.272	3.177	3.086	3.001	2.921	2.845	2.774	2.707	2.641	2.580	2.522	2.265	2.061	1.627	1.352	1.024	0.836	0.612	0.492
DX-25	4.184	3.544	3.439	3.340	3.248	3.160	3.078	3.000	2.926	2.855	2.788	2.724	2.445	2.222	1.749	1.450	1.095	0.891	0.650	0.520
DX-27	4.630	3.931	3.821	3.714	3.614	3.519	3.430	3.346	3.266	3.189	3.116	3.047	2.742	2.503	1.986	1.659	1.267	1.043	0.771	0.626
DX-29	4.955	4.204	4.084	3.969	3.862	3.759	3.663	3.573	3.487	3.404	3.325	3.251	2.923	2.665	2.110	1.758	1.338	1.098	0.809	0.654
DX-31	5.268	4.466	4.336	4.212	4.097	3.987	3.885	3.788	3.696	3.607	3.523	3.443	3.093	2.815	2.223	1.848	1.400	1.144	0.839	0.675
DX-33	5.582	4.728	4.588	4.457	4.334	4.216	4.107	4.004	3.905	3.810	3.721	3.636	3.263	2.966	2.336	1.937	1.463	1.191	0.869	0.695
DX-35	5.890	4.985	4.834	4.694	4.565	4.439	4.323	4.213	4.108	4.008	3.913	3.823	3.427	3.111	2.444	2.022	1.520	1.232	0.894	0.712

*kW values listed represent 100% of the initial capacity.
 **At 77°F (25°C) includes intercell connector drop.
 All data subject to change without notice.

1.215 Specific Gravity

Discharge Rates in kW per Cell* to 1.70Vpc at 25°C (77°F)**

DataSafe® DX Battery Type	Minutes																			
	5	10	11	12	13	14	15	16	17	18	19	20	25	30	45	60	90	120	180	240
DX-05	0.839	0.704	0.683	0.662	0.643	0.624	0.607	0.590	0.574	0.559	0.545	0.532	0.474	0.426	0.331	0.273	0.209	0.172	0.129	0.106
DX-07	1.242	1.049	1.018	0.987	0.959	0.932	0.906	0.882	0.859	0.836	0.814	0.793	0.704	0.632	0.492	0.405	0.303	0.247	0.182	0.148
DX-09	1.595	1.358	1.319	1.280	1.244	1.209	1.176	1.145	1.114	1.085	1.057	1.030	0.911	0.816	0.628	0.512	0.376	0.304	0.222	0.178
DX-11	2.042	1.715	1.664	1.614	1.567	1.522	1.480	1.440	1.401	1.364	1.330	1.298	1.156	1.041	0.809	0.670	0.515	0.426	0.319	0.262
DX-13	2.441	2.055	1.993	1.934	1.879	1.827	1.777	1.730	1.685	1.641	1.600	1.561	1.391	1.254	0.977	0.806	0.603	0.492	0.362	0.294
DX-15	2.840	2.385	2.312	2.242	2.177	2.114	2.055	1.999	1.945	1.893	1.846	1.801	1.603	1.442	1.117	0.916	0.684	0.556	0.408	0.330
DX-17	3.199	2.681	2.599	2.519	2.444	2.373	2.305	2.242	2.181	2.122	2.068	2.017	1.792	1.609	1.239	1.011	0.749	0.603	0.438	0.350
DX-19	3.533	2.956	2.862	2.773	2.690	2.614	2.541	2.471	2.403	2.341	2.283	2.228	1.985	1.790	1.397	1.154	0.867	0.703	0.514	0.413
DX-21	3.978	3.344	3.239	3.140	3.049	2.963	2.878	2.799	2.726	2.658	2.593	2.531	2.254	2.035	1.580	1.298	0.966	0.776	0.561	0.447
DX-23	4.376	3.635	3.517	3.407	3.303	3.206	3.114	3.025	2.942	2.866	2.792	2.722	2.421	2.179	1.692	1.392	1.038	0.840	0.612	0.492
DX-25	4.743	3.937	3.809	3.688	3.576	3.469	3.369	3.272	3.182	3.099	3.019	2.943	2.614	2.351	1.821	1.495	1.110	0.895	0.650	0.520
DX-27	5.249	4.369	4.229	4.098	3.975	3.859	3.750	3.646	3.549	3.457	3.369	3.286	2.928	2.642	2.063	1.706	1.283	1.046	0.771	0.626
DX-29	5.617	4.672	4.521	4.380	4.248	4.124	4.006	3.894	3.789	3.691	3.597	3.507	3.123	2.815	2.193	1.810	1.356	1.102	0.809	0.654
DX-31	5.972	4.962	4.801	4.650	4.509	4.376	4.251	4.130	4.017	3.913	3.812	3.717	3.306	2.976	2.311	1.903	1.419	1.149	0.839	0.675
DX-33	6.328	5.253	5.082	4.921	4.771	4.629	4.496	4.367	4.246	4.136	4.029	3.927	3.490	3.138	2.431	1.997	1.483	1.196	0.869	0.695
DX-35	6.676	5.537	5.357	5.186	5.026	4.876	4.735	4.597	4.469	4.352	4.239	4.131	3.667	3.294	2.545	2.086	1.542	1.239	0.894	0.712

1.215 Specific Gravity

Discharge Rates in kW per Cell* to 1.67Vpc at 25°C (77°F)**

DataSafe® DX Battery Type	Minutes																			
	5	10	11	12	13	14	15	16	17	18	19	20	25	30	45	60	90	120	180	240
DX-05	0.885	0.734	0.710	0.687	0.665	0.645	0.626	0.608	0.590	0.574	0.559	0.544	0.482	0.432	0.332	0.273	0.209	0.172	0.129	0.106
DX-07	1.312	1.095	1.060	1.027	0.995	0.965	0.937	0.910	0.884	0.860	0.837	0.815	0.719	0.642	0.495	0.405	0.303	0.247	0.182	0.148
DX-09	1.675	1.408	1.366	1.325	1.285	1.248	1.211	1.177	1.144	1.113	1.083	1.054	0.928	0.828	0.630	0.512	0.376	0.304	0.222	0.178
DX-11	2.156	1.789	1.731	1.675	1.623	1.574	1.527	1.483	1.441	1.401	1.364	1.329	1.177	1.056	0.812	0.670	0.515	0.426	0.319	0.262
DX-13	2.584	2.148	2.079	2.013	1.951	1.893	1.838	1.785	1.736	1.689	1.644	1.602	1.420	1.274	0.984	0.806	0.603	0.492	0.362	0.294
DX-15	2.998	2.487	2.405	2.328	2.255	2.186	2.121	2.059	2.001	1.946	1.893	1.844	1.632	1.463	1.122	0.916	0.684	0.556	0.408	0.330
DX-17	3.373	2.796	2.704	2.615	2.532	2.454	2.380	2.311	2.244	2.181	2.122	2.065	1.825	1.633	1.245	1.011	0.749	0.603	0.438	0.350
DX-19	3.744	3.095	2.992	2.893	2.800	2.715	2.634	2.557	2.484	2.415	2.350	2.290	2.031	1.826	1.413	1.161	0.867	0.703	0.514	0.413
DX-21	4.235	3.516	3.401	3.291	3.187	3.091	3.002	2.916	2.836	2.759	2.685	2.616	2.319	2.083	1.603	1.310	0.966	0.776	0.561	0.447
DX-23	4.650	3.814	3.683	3.561	3.444	3.336	3.234	3.137	3.046	2.962	2.880	2.805	2.481	2.222	1.711	1.396	1.038	0.840	0.612	0.492
DX-25	5.039	4.131	3.989	3.855	3.728	3.610	3.499	3.394	3.296	3.203	3.114	3.033	2.680	2.398	1.842	1.499	1.110	0.895	0.650	0.520
DX-27	5.580	4.583	4.428	4.282	4.144	4.015	3.894	3.779	3.671	3.570	3.473	3.384	3.001	2.693	2.085	1.710	1.283	1.046	0.771	0.626
DX-29	5.971	4.901	4.734	4.578	4.429	4.291	4.161	4.038	3.921	3.813	3.708	3.612	3.200	2.870	2.217	1.814	1.356	1.102	0.809	0.654
DX-31	6.346	5.206	5.028	4.861	4.701	4.554	4.415	4.283	4.159	4.043	3.932	3.829	3.388	3.035	2.338	1.908	1.419	1.149	0.839	0.675
DX-33	6.722	5.511	5.322	5.144	4.974	4.817	4.670	4.530	4.398	4.275	4.156	4.047	3.577	3.202	2.460	2.002	1.483	1.196	0.869	0.695
DX-35	7.090	5.810	5.609	5.421	5.241	5.074	4.918	4.769	4.630	4.500	4.374	4.259	3.759	3.362	2.576	2.092	1.542	1.239	0.894	0.712

*kW values listed represent 100% of the initial capacity.
 **At 77°F (25°C) includes intercell connector drop.
 All data subject to change without notice.

1.215 Specific Gravity

Discharge Rates in kW per Cell* to 1.63Vpc at 25°C (77°F)**

DataSafe® DX Battery Type	Minutes																			
	5	10	11	12	13	14	15	16	17	18	19	20	25	30	45	60	90	120	180	240
DX-05	0.932	0.766	0.739	0.713	0.689	0.666	0.645	0.624	0.606	0.588	0.571	0.555	0.488	0.435	0.332	0.273	0.209	0.172	0.129	0.106
DX-07	1.385	1.144	1.105	1.067	1.031	0.998	0.967	0.937	0.909	0.883	0.857	0.834	0.731	0.650	0.495	0.405	0.303	0.247	0.182	0.148
DX-09	1.766	1.464	1.416	1.370	1.326	1.286	1.247	1.208	1.173	1.138	1.106	1.075	0.941	0.834	0.630	0.512	0.376	0.304	0.222	0.178
DX-11	2.273	1.869	1.803	1.740	1.681	1.626	1.574	1.525	1.480	1.436	1.395	1.356	1.193	1.065	0.812	0.670	0.515	0.426	0.319	0.262
DX-13	2.734	2.250	2.170	2.096	2.026	1.960	1.899	1.841	1.786	1.735	1.686	1.639	1.443	1.290	0.984	0.806	0.603	0.492	0.362	0.294
DX-15	3.161	2.598	2.506	2.418	2.336	2.259	2.186	2.118	2.055	1.994	1.937	1.882	1.655	1.475	1.122	0.916	0.684	0.556	0.408	0.330
DX-17	3.558	2.921	2.816	2.717	2.624	2.536	2.454	2.377	2.305	2.235	2.171	2.109	1.851	1.647	1.245	1.011	0.749	0.603	0.438	0.350
DX-19	3.981	3.246	3.128	3.015	2.909	2.812	2.721	2.637	2.557	2.483	2.411	2.345	2.068	1.851	1.419	1.161	0.867	0.703	0.514	0.413
DX-21	4.519	3.701	3.570	3.448	3.332	3.225	3.125	3.028	2.938	2.854	2.774	2.696	2.375	2.121	1.614	1.310	0.966	0.776	0.561	0.447
DX-23	4.942	4.006	3.857	3.719	3.588	3.465	3.352	3.246	3.146	3.052	2.963	2.878	2.529	2.256	1.713	1.396	1.038	0.840	0.612	0.492
DX-25	5.357	4.339	4.177	4.026	3.884	3.751	3.627	3.512	3.403	3.301	3.204	3.113	2.732	2.435	1.845	1.499	1.110	0.895	0.650	0.520
DX-27	5.927	4.815	4.637	4.472	4.316	4.170	4.036	3.910	3.791	3.679	3.573	3.472	3.057	2.732	2.087	1.710	1.283	1.046	0.771	0.626
DX-29	6.343	5.149	4.957	4.781	4.613	4.457	4.313	4.177	4.049	3.929	3.815	3.707	3.261	2.912	2.219	1.814	1.356	1.102	0.809	0.654
DX-31	6.745	5.468	5.265	5.076	4.898	4.731	4.576	4.432	4.295	4.167	4.045	3.930	3.453	3.081	2.341	1.908	1.419	1.149	0.839	0.675
DX-33	7.147	5.789	5.573	5.372	5.183	5.005	4.841	4.687	4.542	4.405	4.276	4.154	3.646	3.250	2.463	2.002	1.483	1.196	0.869	0.695
DX-35	7.540	6.102	5.874	5.661	5.462	5.273	5.098	4.935	4.781	4.637	4.500	4.371	3.833	3.414	2.579	2.092	1.542	1.239	0.894	0.712

1.215 Specific Gravity

Discharge Rates in kW per Cell* to 1.60Vpc at 25°C (77°F)**

DataSafe® DX Battery Type	Minutes																			
	5	10	11	12	13	14	15	16	17	18	19	20	25	30	45	60	90	120	180	240
DX-05	0.965	0.786	0.756	0.728	0.702	0.677	0.654	0.633	0.613	0.594	0.577	0.560	0.489	0.435	0.332	0.273	0.209	0.172	0.129	0.106
DX-07	1.433	1.175	1.132	1.091	1.053	1.017	0.983	0.951	0.921	0.894	0.867	0.842	0.735	0.650	0.495	0.405	0.303	0.247	0.182	0.148
DX-09	1.828	1.497	1.445	1.395	1.349	1.305	1.264	1.224	1.186	1.151	1.116	1.084	0.943	0.834	0.630	0.512	0.376	0.304	0.222	0.178
DX-11	2.353	1.918	1.845	1.777	1.714	1.655	1.598	1.546	1.498	1.453	1.410	1.369	1.197	1.065	0.812	0.670	0.515	0.426	0.319	0.262
DX-13	2.833	2.313	2.226	2.144	2.069	1.998	1.931	1.868	1.811	1.757	1.705	1.657	1.451	1.290	0.984	0.806	0.603	0.492	0.362	0.294
DX-15	3.272	2.666	2.564	2.470	2.382	2.299	2.220	2.147	2.080	2.017	1.957	1.900	1.661	1.475	1.122	0.916	0.684	0.556	0.408	0.330
DX-17	3.682	2.996	2.881	2.775	2.675	2.581	2.492	2.410	2.333	2.262	2.194	2.129	1.857	1.647	1.245	1.011	0.749	0.603	0.438	0.350
DX-19	4.136	3.330	3.200	3.079	2.967	2.862	2.764	2.675	2.592	2.513	2.440	2.371	2.082	1.858	1.419	1.161	0.867	0.703	0.514	0.413
DX-21	4.704	3.815	3.673	3.540	3.416	3.300	3.190	3.087	2.992	2.901	2.816	2.737	2.399	2.136	1.614	1.310	0.966	0.776	0.561	0.447
DX-23	5.138	4.122	3.959	3.808	3.668	3.537	3.415	3.300	3.195	3.095	3.002	2.914	2.548	2.261	1.713	1.396	1.038	0.840	0.612	0.492
DX-25	5.569	4.464	4.287	4.123	3.971	3.828	3.696	3.571	3.457	3.348	3.247	3.151	2.753	2.440	1.845	1.499	1.110	0.895	0.650	0.520
DX-27	6.166	4.955	4.760	4.580	4.414	4.258	4.111	3.975	3.849	3.731	3.620	3.515	3.080	2.738	2.087	1.710	1.283	1.046	0.771	0.626
DX-29	6.598	5.298	5.089	4.896	4.717	4.550	4.393	4.246	4.112	3.985	3.865	3.753	3.285	2.918	2.219	1.814	1.356	1.102	0.809	0.654
DX-31	7.013	5.627	5.404	5.198	5.007	4.829	4.662	4.505	4.362	4.226	4.099	3.979	3.480	3.088	2.341	1.908	1.419	1.149	0.839	0.675
DX-33	7.430	5.957	5.720	5.501	5.298	5.109	4.932	4.765	4.613	4.469	4.333	4.206	3.675	3.257	2.463	2.002	1.483	1.196	0.869	0.695
DX-35	7.838	6.278	6.029	5.797	5.582	5.381	5.195	5.018	4.857	4.704	4.561	4.426	3.863	3.421	2.579	2.092	1.542	1.239	0.894	0.712

*kW values listed represent 100% of the initial capacity.

**At 77°F (25°C) includes intercell connector drop.

All data subject to change without notice.



www.enersys.com

EnerSys
2366 Bernville Road
Reading, PA 19605
USA
Tel: +1-610-208-1991
+1-800-538-3627
Fax: +1-610-372-8613

EnerSys EMEA
Europe - Middle East -Africa
Löwenstrasse 32
8001 Zürich - Switzerland
Tel: +41 44 215 74 10

EnerSys Asia Oceania
152 Beach Road
Gateway East Building #11-03
Singapore 189721
Tel: +65 6508 1780

Represented by:

Printed in U.S.A.
© 2012 EnerSys. All rights reserved.
Trademarks and logos are the property
of EnerSys and its affiliates, except Slide-Lock™
and ISO™, which are not the property of EnerSys.